



RAM® TOUGH-DOCK™ SERIES FOR GETAC ZX10

SKUs AVAILABLE

Patented & Pats Pend.



RAM-HOL-GE4U
RAM® Form-Fit Holder



RAM-HOL-GE4KLU
RAM® Form-Fit Locking Holder



RAM-HOL-GE4PU
RAM® Form-Fit Powered Dock



RAM-HOL-GE4PKLU
RAM® Form-Fit Locking Powered Dock



RAM-HOL-GE4PDU
RAM® Power + Data Dock



RAM-HOL-GE4PDKLU
RAM® Locking Power + Data Dock



RAM-HOL-GE4PD2U
RAM® Power + Dual USB Data Dock



RAM-HOL-GE4PD2KLU
RAM® Locking Power + Dual USB Data Dock



PRIMARY MARKETS



TRANSPORTATION & LOGISTICS



WAREHOUSE & MANUFACTURING



FIELD SERVICE

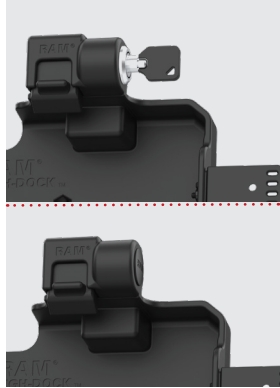


RETAIL



RAM® TOUGH-DOCK™ SERIES FOR GETAC ZX10

FEATURES



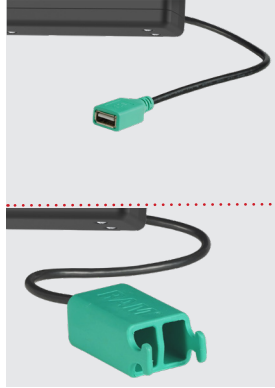
LOCKING & NON-LOCKING

A set of two keys are provided for extra security and peace of mind.



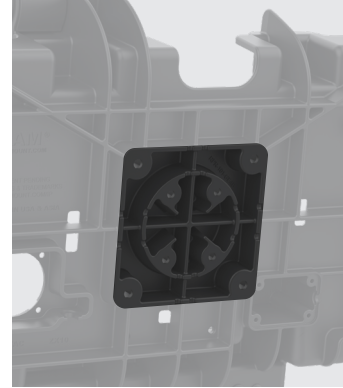
POWERED & NON-POWERED

Available in Powered & Non-Powered versions.



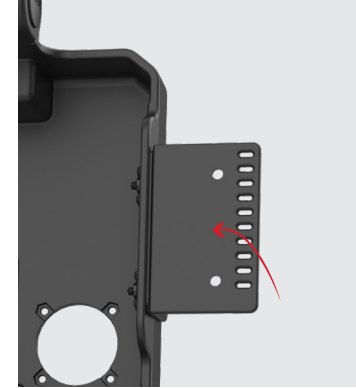
DATA & DUAL USB

Available with single or dual USB peripheral ports, as well as power only.



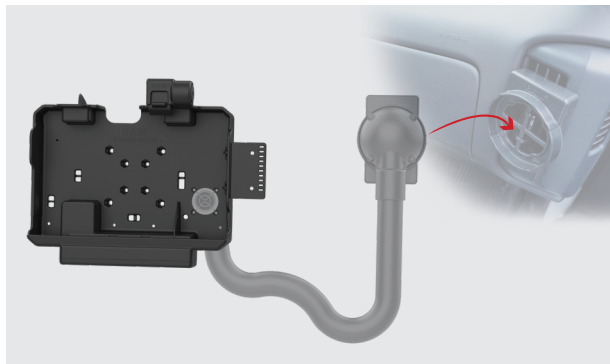
4-HOLE AMPS & VESA PATTERN

The industry-standard AMPS Pattern and 75x75 VESA Hole Patterns enables you to mount the device anywhere you need it.



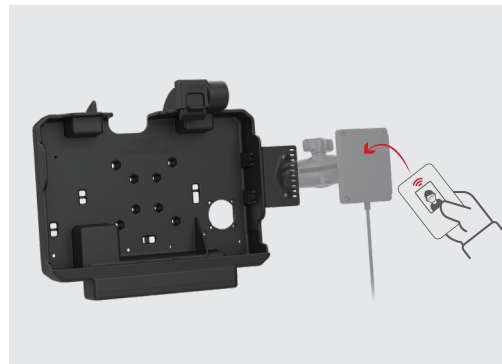
2-HOLE AMPS ACCESSORY ADD-ON BRACKET

Includes a 2-Hole AMPS add-on bracket for accessory or peripheral device mounting such as a phone or scanner.



TEMP MODULE COMPATIBLE

Temp Module Compatible holders allow you to connect the RAM® Vent-Temp™ or Temp-Right™ to warm up or cool down your device. These docks are compatible with temperature control accessories such as the RAM® Vent-Temp™ or Temp-Right™ for keeping your device at safe temperatures in extreme environments.



RAM® NFC EXTENDER COMPATIBLE

Compatible holders allow you to connect the RAM® NFC Extender.



GETAC ACCESSORIES

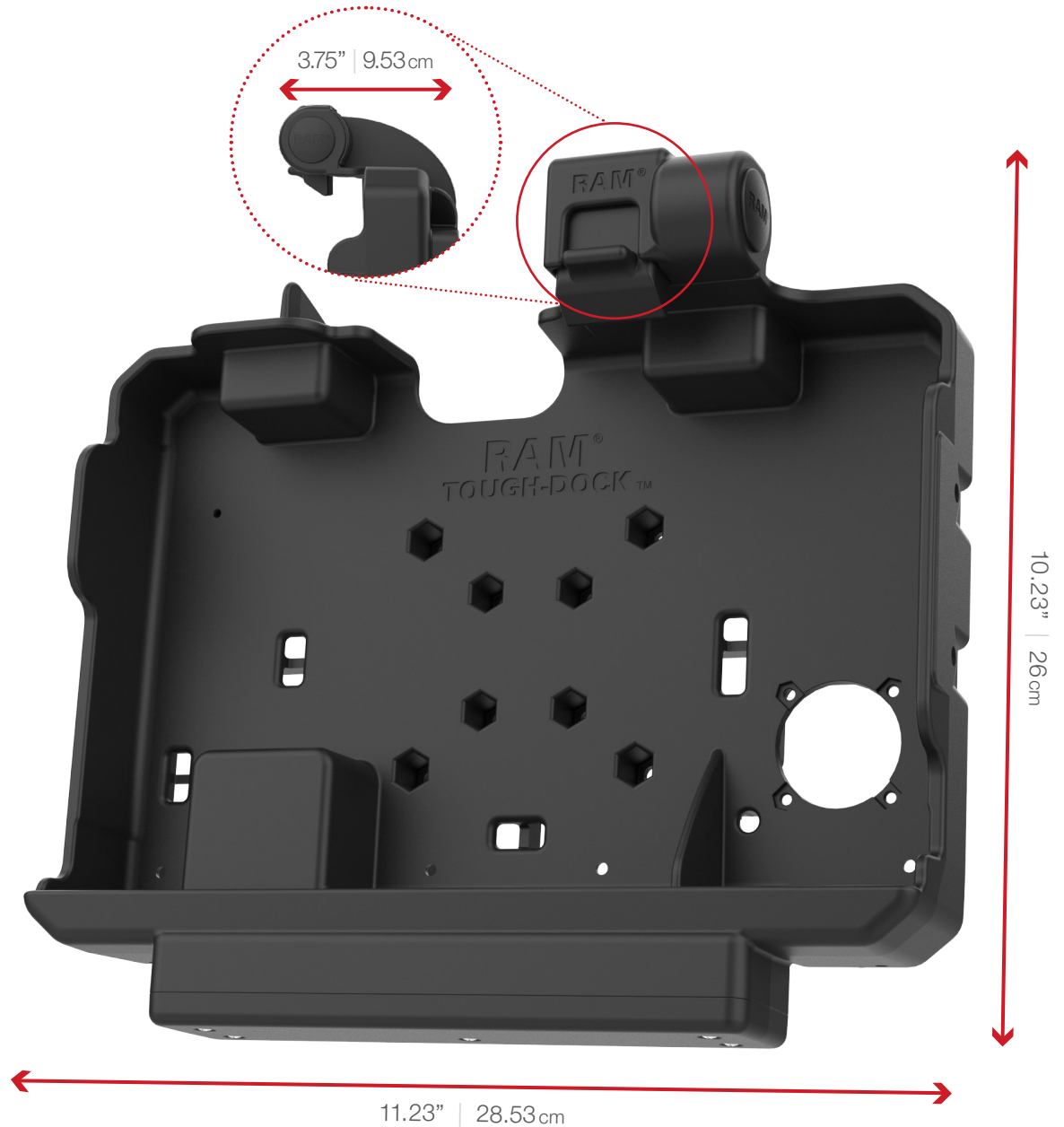
Compatible with Getac accessories including standard & high-capacity batteries and hard carry handle. This dock is not compatible with the Getac Hand Strap but may support other aftermarket hand strap accessories.



RAM® TOUGH-DOCK™ SERIES FOR GETAC ZX10

FEATURES

SPECIFICATIONS	
Dimensions	10.23" H x 11.23" W x 3.75" D 26cm H x 28.53cm W x 9.53cm D
Input Voltage	19VDC
Peripheral Power Output	900mA@5VDC (1x USB), 1.8A @ 5VDC (2x USB)
Power Cable Length	1 Meter
Data Cable Length	0.25 Meters
Certifications	FCC IC CE UKCA WEEE RoHS
Hardwire Power Supply	RAM-GDS-CHARGE-V11U RAM-GDS-CHARGE-V12U





RAM® TOUGH-DOCK™ SERIES FOR GETAC ZX10

COMPATIBLE MOUNTS



RAM-D-101U-2461

RAM® Double Ball Mount with 75x75mm VESA Plate - D Size Medium



RAM-VP-89F-D-101-2461U

RAM® Tele-Pole™ with 8" & 9" Poles and 75mm VESA Mount



RAM-VP-1218F-D-101-2461U

RAM® Tele-Pole™ with 12" & 18" Poles and 75mm VESA Mount



RAM-D-2461U-C-247-4

RAM® 4" Square Post Clamp Mount with 75x75mm VESA Plate

ACCESSORIES



RAM-GDS-CAB-NFCU

RAM® NFC Extender



RAM-B-102-NFCU

RAM® NFC Extender with Drill-Down Double Ball Mount



RAM-VENT1-RND-50U

RAM® Vent-Temp™ with Back Dock Connection for Round Vents



RAM-VENT1-RCT-50U

RAM® Vent-Temp™ with Back Dock Connection for Rectangular Vents



RAM® TEMP-RIGHT™ DOCK HEATING MODULE

Contact support@rammount.com for more details